

LED OYSTER LIGHT

SL3147 FLORIO

CONSTRUCTION

- Extruded aluminium frame
- Powder coated metal base
- Opal polystyrene diffuser
- High efficiency SMD LED chips
- Constant current LED driver fitted

IP RATING

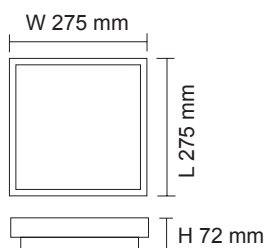
- IP20 suitable for indoor use only

DIMMING OPTIONS

- Analogue dimming (Trailing edge, 1-10V dimming)
- Digital dimming (DSI, DALI)
- Integrated microwave sensor (SMS800)

DIMENSIONS

SL3147/28

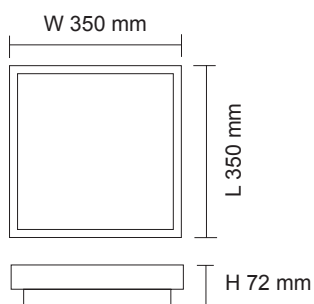


SL3147/28



SL3147/35

SL3147/35



Model No.	Input	Power	Lumen	CCT	CRI	Dimensions L x W X H	Fitting Colour
SL3147/28CW	240V	14W	900lm	4000K	>80	275 x 275 X 72 mm	Anodized Silver
SL3147/35CW	240V	22W	1500lm	4000K	>80	350 x 350 X 72 mm	Anodized Silver